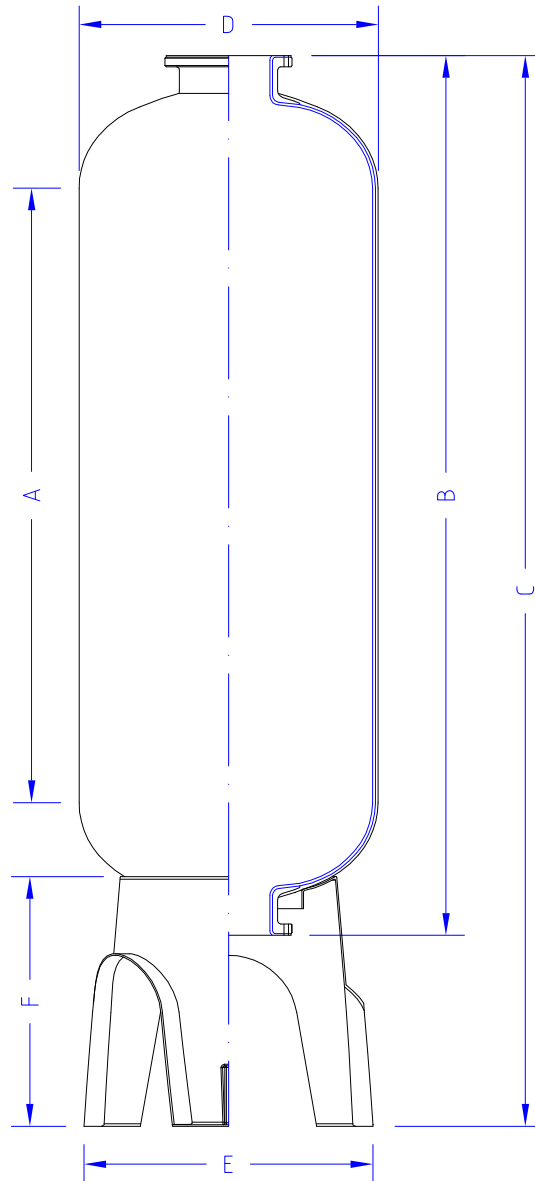
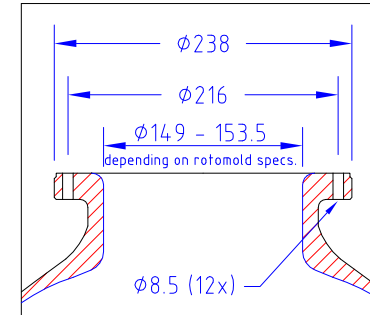


COMPOSITE INDUSTRIAL FLANGED VESSELS

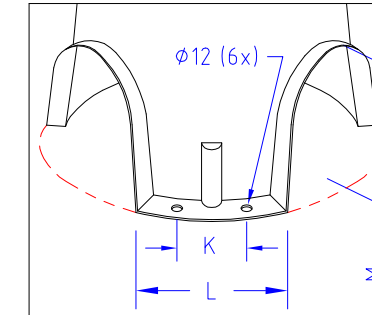
6" TOP - 6" BOTTOM
 HOT WATER



DETAIL 6" FLANGE



DETAIL BASE



Operating pressure : min 0 bar - max 10 bar
 Operating temperature : min 1°C - max 80°C

Cylindrical height (mm)	Height vessel (mm)	Total height (mm) Minimum - maximum	External diameter (mm)	Outside diameter base (mm)	Height base (mm)	Volume vessel (litrer)	Volume dome (litrer)	Weight empty vessel (kg)	Maximum base load (kg)	Bolt distance base (mm)	Width base leg (mm)	Free height base (mm)	Lifting lugs	BASE	TYPE
A	B	C	D	E	F	/	/	/	/	K	L	M	/		
1369	1736	2072 ± 10	$\phi 369$	$\phi 497$	469	140	7.3	33	405	110	184	292	0	B-SMC-F16	C-1468-F7HW
1356	1748	2085 ± 10	$\phi 406$	$\phi 497$	469	172	10.1	42	405	110	184	292	0	B-SMC-F16	C-1668-F7HW
1345	1780	2129 ± 15	$\phi 469$	$\phi 545$	465	250	14.6	45	710	110	245	292	0	B-SMC-F21	C-1868-F7HW
1158	1642	1995 ± 10	$\phi 552$	$\phi 545$	465	310	24	48	710	110	245	292	0	B-SMC-F21	C-2166-F7HW
1320	1866	2224 ± 10	$\phi 610$	$\phi 698$	476	450	35	58	995	110	223	297	0	B-SMC-F24	C-2475-F7HW
1284	1924	2284 ± 15	$\phi 770$	$\phi 877$	517	712	67	112	1590	110	240	318	0	B-SMC-F30	C-3078-F7HW
1250	1975	2345 ± 20	$\phi 927$	$\phi 952$	553	1020	116	143	2245	110	265	368	0	B-SMC-F36	C-3678-F7HW
1162	1980	2419 ± 20	$\phi 1074$	$\phi 1092$	589	1345	176	176	2990	110	278	387	0	B-SMC-F42	C-4278-F7HW
1056	2033	2441 ± 15	$\phi 1226$	$\phi 1270$	598	1830	273	250	4040	110	316	387	0	B-SMC-F48	C-4882-F7HW

g	Updated dim. A,C + add lifting lugs & base ECN160003	BV	08/02/2016
f	Modify base dimensions according to ECN06041	LVdS	08/09/2006
e	Adjust B, C dims and volume according to ECN05068,081,082,083,084,085,086,087)	LVdS	09/01/2006
Revision	Revision description	Drawn	Date

<p>Industriepark Wolfstee Toekomstlaan 30 HERENTALS BELGIUM</p>	Article :	Scale : none
	Cad filename : DG970024	Date : 2 April 1997
	Model filename :	Drawn : Ludo Van den Schoor
	Remarks : Boxed dims. are critical for Q.A.	Approved :
Material :	Projection :	A 3
Description : FLANGED HOTWATER COMPOSITE VESSEL		Drawing number : CD-TP-I-218g