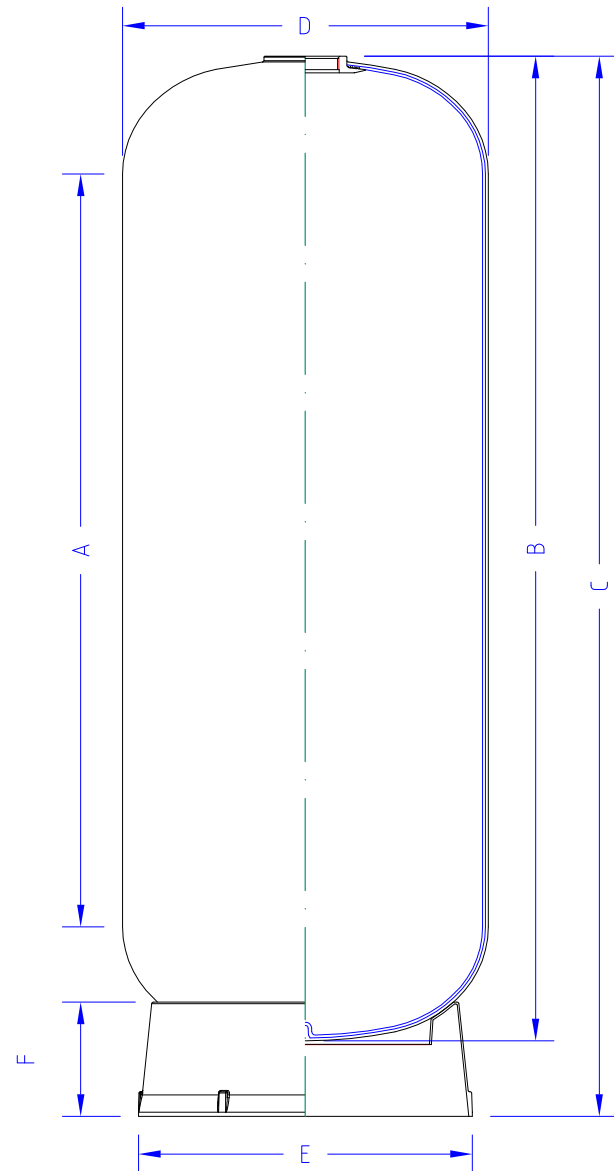
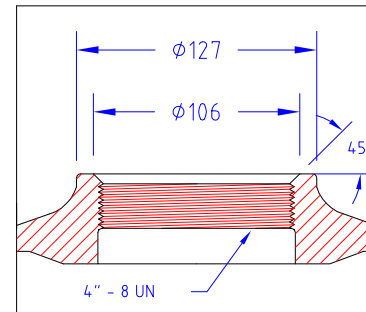


# COMPOSITE INDUSTRIAL THREADED VESSELS

4" TOP ONLY



DETAIL 4" THREAD




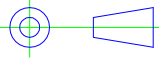
Operating pressure : min 0 bar - max 10 bar  
Operating temperature : min 1°C - max 50°C

A	B	C	D	E	F	/	/	/	/	/	BASE	TYPE
850	1108	1144 ± 15	$\phi 369$	$\phi 376$	198	93	7.3	14.2	320	0	B-BNA-014	C-1443-A3
1076	1334	1370 ± 15	$\phi 369$	$\phi 376$	198	122	7.3	15.5	320	0	B-BNA-014	C-1452-A3
1366	1624	1660 ± 15	$\phi 369$	$\phi 376$	198	140	7.3	19	320	0	B-BNA-014	C-1465-A3
965	1253	1289 ± 9	$\phi 406$	$\phi 414$	218	122	10.1	16.1	410	0	B-BNA-016	C-1649-A3
1335	1623	1659 ± 17.5	$\phi 406$	$\phi 414$	218	170	10.1	20.5	410	0	B-BNA-016	C-1665-A3
1349	1654	1755 ± 20	$\phi 469$	$\phi 516$	174	252	15.1	32	685	0	B-SMC-S21	C-1865-A3
557	920	1033 ± 15	$\phi 552$	$\phi 516$	174	164	24	20	685	0	B-SMC-L21	C-2136-A3
616	979	1226 ± 15	$\phi 552$	$\phi 536$	309	178	24	21	685	0	B-SMC-H21	C-2138-A3
1150	1513	1626 ± 15	$\phi 552$	$\phi 510$	174	309	24	32	685	0	B-SMC-L21	C-2160-A3
1328	1746	1863 ± 20	$\phi 610$	$\phi 516$	174	440	35	41	985	0	B-SMC-L24	C-2469-A3

j  
l

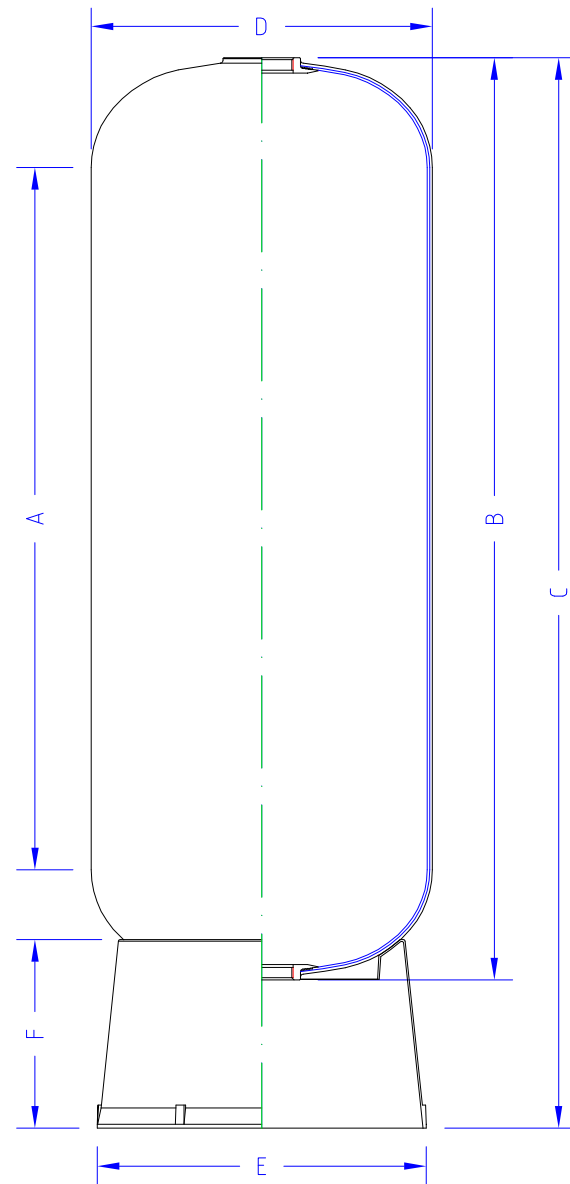
m m k m m m m

m	Adj.dims. A,B,C,E,F and added lifting lugs & base (ECN160003)	BV	4/03/2016
l	Adj.B dimension of 1665A3 from 1647 into 1620 (see ECN05081)	LVdS	31/01/2006
k	Adj.B and C dim and volume acc. to ECN 05073,083,081,082,084	LVdS	09/01/2006

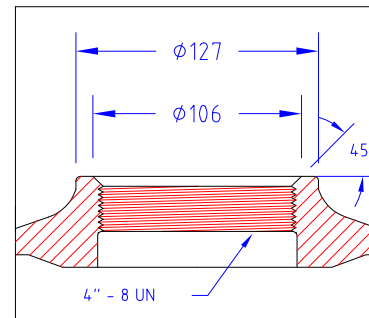
Revision	Revision description	Drawn	Date
 <p>Industriepark Wolfstee Toekomstlaan 30 HERENTALS BELGIUM</p>			
Article :		Scale : none	
Cad filename : CD-TP-I-221		Date : 2 April 1997	
Model filename :		Drawn : Ludo Van den Schoor	
Remarks : Boxed dims. are critical for Q.A.		Approved : P.K.	
Material :		Projection :  A 3	
Description : INDUSTRIAL TOP THR. COMPOSITE VESSEL		Drawing number : CD-TP-I-221m	

# COMPOSITE INDUSTRIAL THREADED VESSELS

4" TOP - 4" BOTTOM



DETAIL 4" THREAD



Operating pressure : min 0 bar - max 10 bar  
 Operating temperature : min 1°C - max 50°C

Cylindrical height (mm)	Height vessel (mm)	Total height (mm) Minimum - maximum	External diameter (mm)	Outside diameter base (mm)	Height base (mm)	Volume vessel (liter)	Volume dome (liter)	Weight empty vessel (kg)	Maximum base load (kg)	Lifting lugs	BASE	TYPE
A	B	C	D	E	F	/	/	/	/	/		
847	1121	1322 ± 15	φ369	φ374	335	96	7.3	15	325	0	B-EXT-014	C-1443-F7
1056	1330	1531 ± 15	φ369	φ374	335	122	7.3	17	325	0	B-EXT-014	C-1452-F7
1378	1650	1852 ± 15	φ369	φ374	335	140	7.3	22	325	0	B-EXT-014	C-1465-F7
976	1267	1412 ± 15	φ406	φ410	362	126	10.1	18	420	0	B-EXT-016	C-1649-F7
1356	1647	1804 ± 20	φ406	φ410	362	170	10.1	24	420	0	B-EXT-016	C-1665-F7
1350	1676	1890 ± 12.5	φ469	φ539	309	245	15.1	33	690	0	B-SMC-X21	C-1865-F7
566	945	1176 ± 15	φ552	φ536	309	165	24	21	690	0	B-SMC-H21	C-2136-F7
1166	1545	1777 ± 15	φ552	φ536	309	310	24	35	690	0	B-SMC-H21	C-2160-F7
1327	1760	1997 ± 15	φ610	φ539	309	435	35	43	990	0	B-SMC-H24	C-2469-F7
1319	1840	2040 ± 20	φ770	φ768	334	712	67	84	1590	0	B-SMC-X30	C-3072-F7
1294	1897	2142 ± 15	φ927	φ768	334	1084	116	99	2240	0	B-SMC-X36	C-3672-F7

h

g

j

i

j

j

j

j

j

j	Adj. Dims. A,C,E,F + added lifting lugs & base ( ECN160003)	BV	16/02/2016
i	Adj. dims B, C and volume according to ECN 05073,083, 081, 082, 084, 085.	LVdS	09/01/2006
h	Adjust dimension B and C of 21" vessel (ECN 05066)	LVdS	19/10/2005

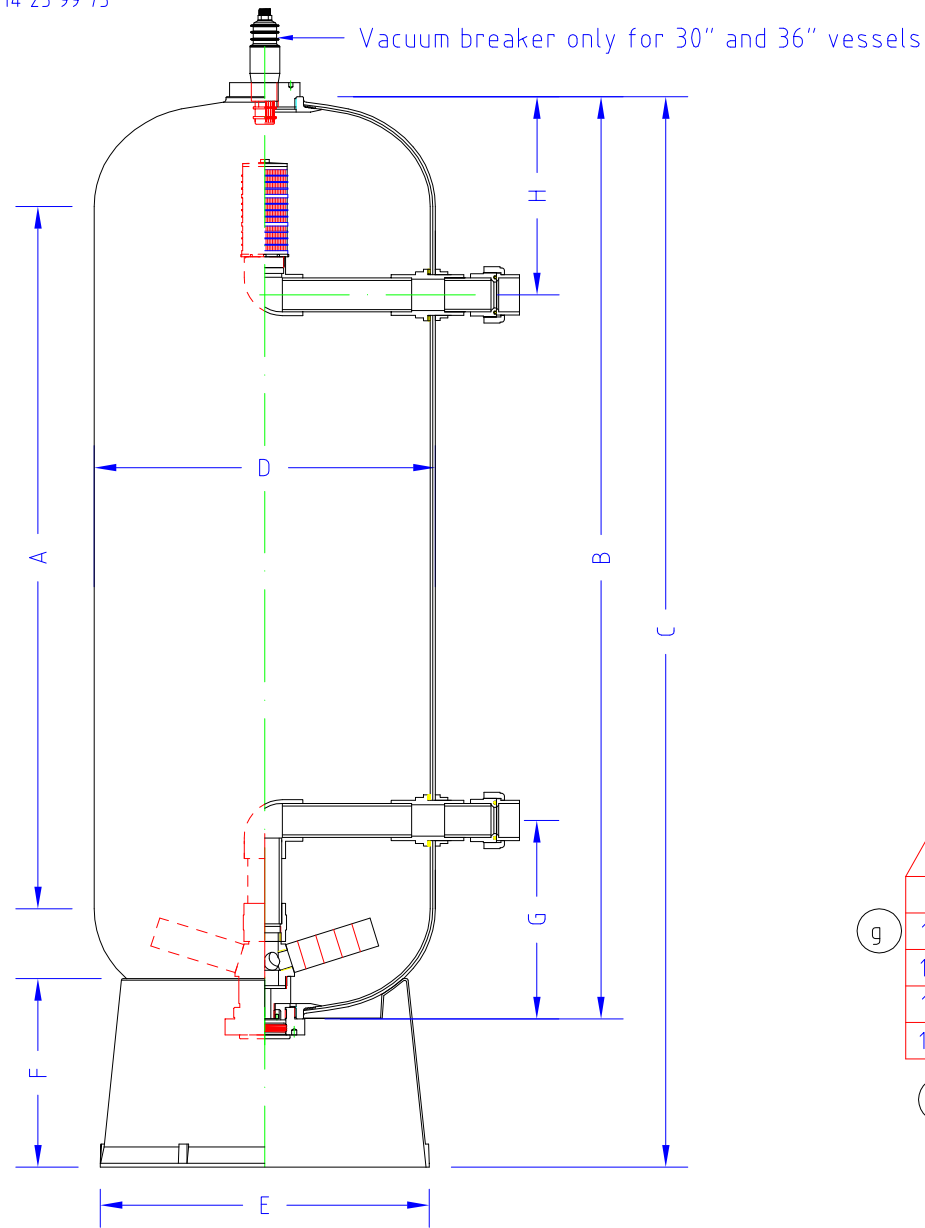
Revision	Revision description	Drawn	Date
----------	----------------------	-------	------

 Industriepark Wolfstee Toekomstlaan 30 HERENTALS BELGIUM	Article :	Scale :	none
	Cad filename :	Date :	2 April 1997
	Model filename :	Drawn :	Ludo Van den Schoor
	Remarks :	Approved :	P.K.
	Material :	Projection :	A 3

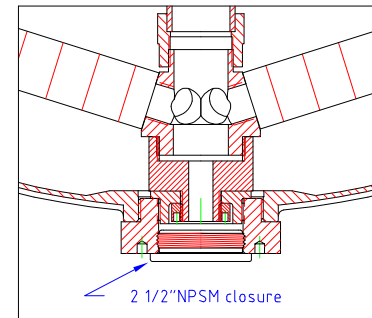
Description :	INDUSTRIAL THREADED COMPOSITE VESSEL	Drawing number :	CD-TP-I-222j
---------------	--------------------------------------	------------------	--------------

# COMPOSITE INDUSTRIAL THREADED VESSELS

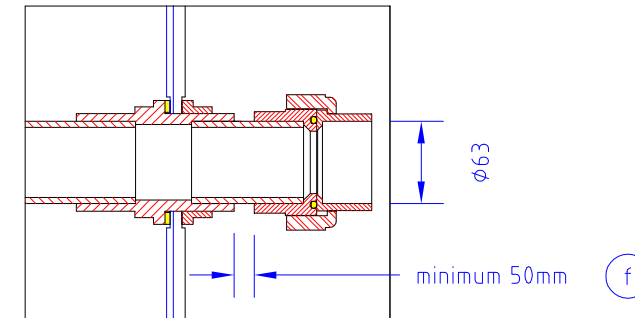
4" TOP - 4" BOTTOM  
 Ø63 SIDE HOLES



DETAIL 4" THREAD



DETAIL SIDE HOLE



Operating pressure : min 0 bar - max 10 bar  
 Operating temperature : min 1°C - max 50°C

	Cylindrical height (mm)	Height vessel (mm)	Total height (mm) Minimum - maximum	External diameter (mm)	Out-side diameter base (mm)	Height base (mm)	Distance lower sidehole (mm)	Distance upper sidehole (mm)	Volume vessel (liter)	Volume dome (liter)	Weight empty vessel (kg)	Maximum base load (kg)	Lifting lugs	BASE	TYPE
g	1166	1545	1776 ± 15	Ø552	Ø536	309	327	324	310	24	35	690	0	B-SMC-H21	C-2160-S611
	1327	1760	1997 ± 15	Ø610	Ø539	309	359	360	435	35	43	990	0	B-SMC-H24	C-2469-S611
	1319	1840	2040 ± 20	Ø770	Ø768	334	400	401	712	67	84	1590	0	B-SMC-X30	C-3072-S611
	1294	1897	2141 ± 15	Ø927	Ø768	334	484	485	1039	116	99	2240	0	B-SMC-X36	C-3672-S611

i	Adj. Dims, A,B,C and added lifting lugs & base	BV	17/02/2016
h	Adjust dimension B, C and volume according to ECN05084, 085	LVdS	19/10/2005
g	Adjust dimension B and C of 21" vessel ECN05066	LVdS	19/10/2005
Revision	Revision description	Drawn	Date

 Industriepark Wolfstee Toekomstlaan 30 HERENTALS BELGIUM	Article :	Scale : none
	Cad filename : DG980134	Date : 6 May 1998
	Model filename :	Drawn : Ludo Van den Schoor
	Remarks : Boxed dims. are critical for Q.A.	Approved : P.K.
Material :	Projection :	A 3
Description : INDUSTRIAL THR. COMP. EASYCON VESSEL		Drawing number : CD-TP-I-272h