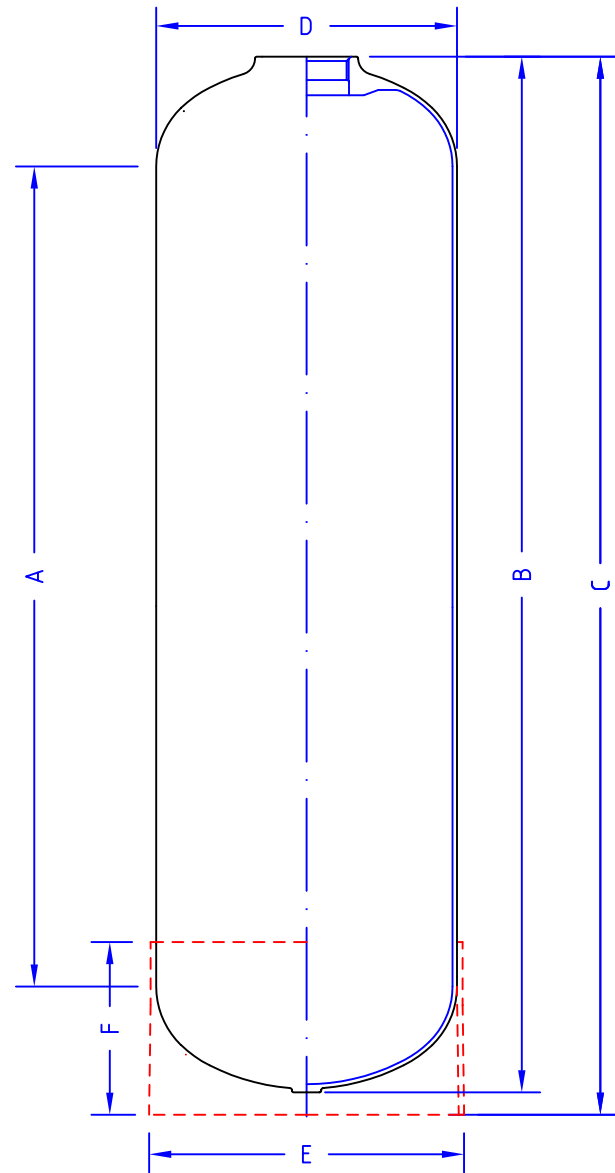
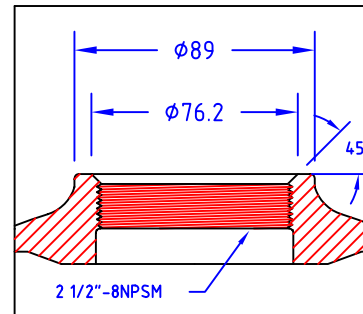


COMPOSITE DOMESTIC THREADED VESSELS 2 1/2" TOP - POLE-LESS


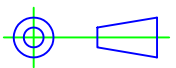


DETAIL 2 1/2" THREAD

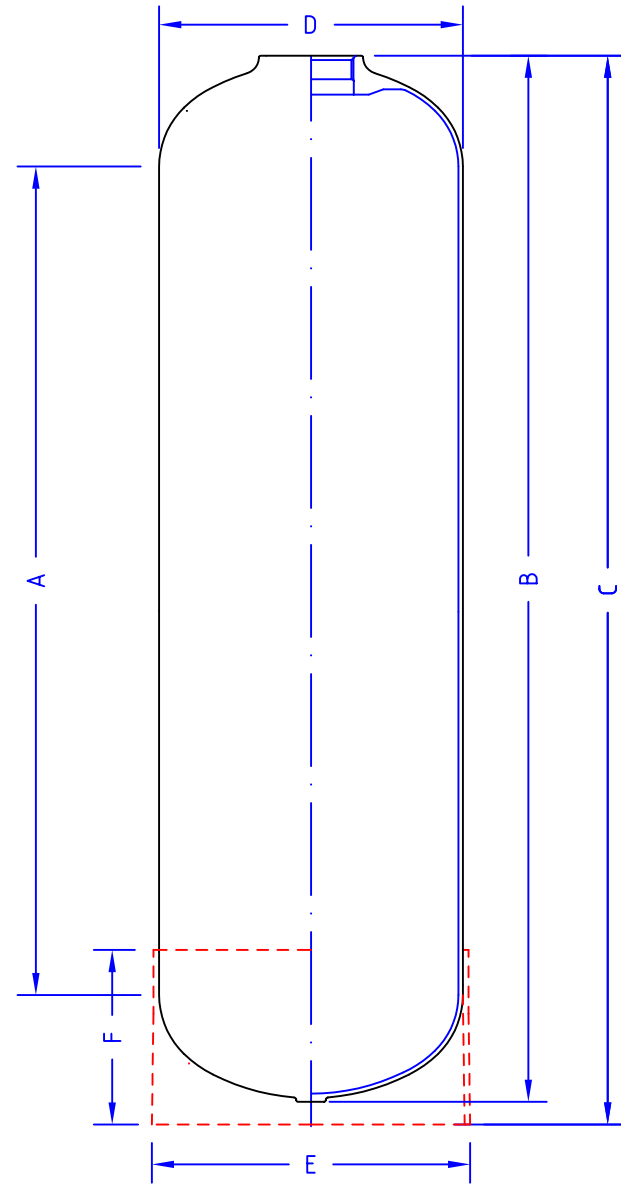


Operating pressure : min 0 bar - max 10 bar
Operating temperature : min 1°C - max 50°C

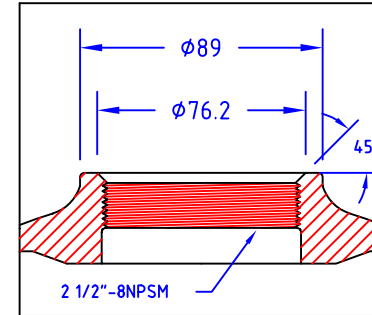
A	B	C	D	E	F	/	/	/	/	TYPE
233	336 - 340	336 - 340	$\phi 136$	-	-	3.4	0.3	0.9	-	Q-0513-A0
307	408 - 412	408 - 412	$\phi 136$	-	-	4.3	0.3	1.1	-	Q-0516-A0
330	434 - 438	434 - 438	$\phi 136$	-	-	4.5	0.3	0.9	-	Q-0517-A0
422	523 - 527	523 - 527	$\phi 136$	-	-	5.8	0.3	1.5	-	Q-0521-A0
194	319 - 323	340 - 344	$\phi 159$	$\phi 170$	108	4.6	0.6	1.0	40	Q-0613-A0
327	452 - 456	473 - 477	$\phi 159$	$\phi 170$	108	6.9	0.6	1.2	40	Q-0618-A0
403	528 - 532	549 - 553	$\phi 159$	$\phi 170$	108	8.2	0.6	1.3	40	Q-0621-A0
186	323 - 327	339 - 343	$\phi 184$	$\phi 195$	111	6.3	0.9	1.4	60	Q-0713-A0
291	428 - 432	444 - 448	$\phi 184$	$\phi 195$	111	8.8	0.9	1.3	60	Q-0717-A0
455	605 - 609	611 - 615	$\phi 184$	$\phi 195$	111	13.5	0.9	1.8	60	Q-0724-A0
623	760 - 764	776 - 780	$\phi 184$	$\phi 195$	111	16.8	0.9	2.1	60	Q-0730-A0
746	883 - 887	899 - 903	$\phi 184$	$\phi 195$	111	20.4	0.9	2.5	60	Q-0735-A0

e	Add new specs of Q-0517-A0	PD	
Revision	Revision description	Drawn	Date
 Industriepark Wolfstee Toekomstlaan 30 HERENTALS BELGIUM	Article :	Scale :	none
	Cad filename :	Date :	8 May 2001
	Model filename :	Drawn :	Ludo Van den Schoor
	Remarks :	Approved :	P.K.
	Material :	Projection :	 A 3
Description :	DOM. POLELESS COMPOSITE VESSEL 6" - 7"		Drawing number : CD-TP-D-175e

COMPOSITE DOMESTIC THREADED VESSELS 2 1/2" TOP - POLE-LESS




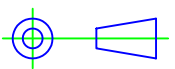
DETAIL 2 1/2" THREAD



Operating pressure : min 0 bar - max 10 bar
Operating temperature : min 1°C - max 50°C

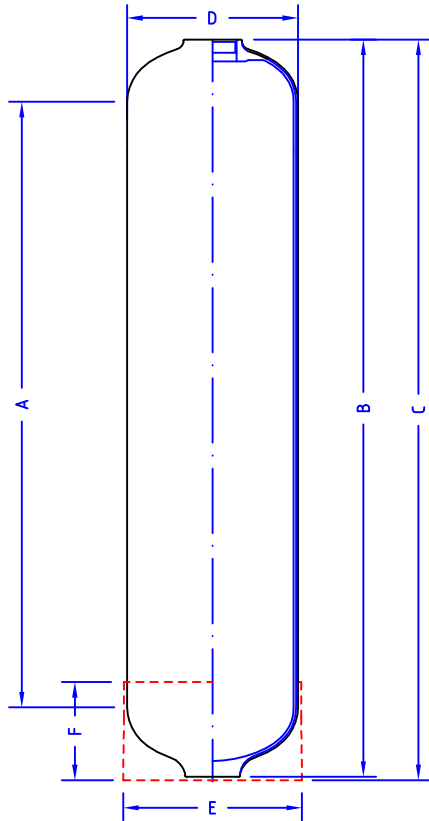
A	B	C	D	E	F	/	/	/	/	TYPE
175	328 - 332	345 - 349	$\phi 208$	$\phi 220$	121	8.2	1.4	1.2	75	Q-0813-A0
263	416 - 420	433 - 437	$\phi 208$	$\phi 220$	121	11.0	1.4	1.5	75	Q-0817-A0
275	428 - 432	445 - 449	$\phi 208$	$\phi 220$	121	11.4	1.4	1.5	75	Q-0818-A0
403	556 - 560	572 - 576	$\phi 208$	$\phi 220$	121	15.4	1.4	2.1	75	Q-0822-A0
612	763 - 767	781 - 785	$\phi 208$	$\phi 220$	121	22.0	1.4	3.1	75	Q-0830-A0
730	883 - 887	900 - 904	$\phi 208$	$\phi 220$	121	25.7	1.4	2.8	75	Q-0835-A0
750	904 - 908	921 - 925	$\phi 208$	$\phi 220$	121	26.4	1.4	3.0	75	Q-0836-A0
303	472 - 476	488 - 492	$\phi 233$	$\phi 247$	125	16.0	1.9	2.1	75	Q-0919-A0
721	883 - 887	901 - 905	$\phi 233$	$\phi 247$	125	31.3	1.9	3.5	75	Q-0935-A0
133	315 - 319	334 - 338	$\phi 257$	$\phi 269$	148	11.5	2.7	2.1	140	Q-1012-A0
152	334 - 338	353 - 357	$\phi 257$	$\phi 269$	148	13.3	2.7	2.2	140	Q-1013-A0
222	404 - 408	423 - 427	$\phi 257$	$\phi 269$	148	16.1	2.7	2.5	140	Q-1016-A0
299	481 - 485	500 - 504	$\phi 257$	$\phi 269$	148	19.1	2.7	2.0	140	Q-1019-A0
400	582 - 586	601 - 605	$\phi 257$	$\phi 269$	148	24.0	2.7	2.6	140	Q-1023-A0
701	883 - 887	901 - 905	$\phi 257$	$\phi 269$	148	38.9	2.7	4.2	140	Q-1035-A0
1117	1348 - 1354	1368 - 1374	$\phi 334$	$\phi 341$	190	103.1	5.9	9.2	225	Q-1354-A0

(i)

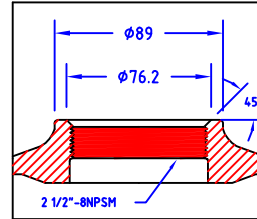
i	Add new configuration Q-0836-A0	LVdS	23/08/04
Revision	Revision description	Drawn	Date
 Industriepark Wolfstee Toekomstlaan 30 HERENTALS BELGIUM	Article :	Scale : none	
	Cad filename : DG970149	Date : 3 April 1997	
	Model filename :	Drawn : Ludo Van den Schoor	
	Remarks : Boxed dims. are critical for Q.A.	Approved : P.K.	
Material :	Projection :	 A 3	
Description :	DOM. POLELESS COMPOSITE VESSEL 8"-13"		Drawing number : CD-TP-D-177i

COMPOSITE DOMESTIC THREADED VESSELS

2 1/2" TOP - POLE-PIECE


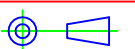


DETAIL 2 1/2" THREAD



Operating pressure : min 0 bar - max 10 bar
 Operating temperature : min 1°C - max 50°C

Cylindrical height (mm)	Height vessel (mm) Minimum - maximum	Total height (mm) Minimum - maximum	External diameter (mm)	Outside diameter base (mm)	Height base (mm)	Volume vessel (liter)	Volume dome (liter)	Weight empty vessel (kg)	Maximum base load (kg)	TYPE
A	B	C	D	E	F	/	/	/	/	
758	886 - 890	905 - 909	Ø159	Ø170	108	14.4	0.6	2.2	40	Q-0635-P0
845	1010 - 1014	1016 - 1020	Ø210	Ø220	121	29.9	1.4	3.2	75	Q-0840-P0
951	1116 - 1120	1122 - 1126	Ø210	Ø220	121	33.6	1.4	3.4	75	Q-0844-P0
917	1113 - 1117	1120 - 1124	Ø257	Ø269	148	48.0	2.7	4.9	140	Q-1044-P0
1180	1376 - 1380	1383 - 1387	Ø257	Ø269	148	60.7	2.7	6.2	140	Q-1054-P0
992	1215 - 1221	1229 - 1235	Ø304	Ø315	180	75.6	4.4	6.6	170	Q-1248-P0
1097	1315 - 1321	1332 - 1338	Ø304	Ø315	180	84.0	4.4	7.8	170	Q-1252-P0

f	remove Q-0744-P0, Q-1040-P0, Q-1236-P0 and Q-1242-P0 from list	JS	14/06/2013
e	Redraw drawing lay-out	LVdS	26/04/02
Revision	Revision description	Drawn	Date
 Pentair Water Industriepark Wolfstee Toekomstlaan 30 HERENTALS BELGIUM	Article :	none	
	Cad filename :	DG970148	
	Model filename :	Drawn : Ludo Van den Schoor	
	Remarks :	Boxed dims. are critical for Q.A.	Approved : P.K.
	Material :	Projection :	 A 3
Description :	DOMESTIC POLE PIECE COMPOSITE VESSEL		Drawing number : CD-TP-D-176e