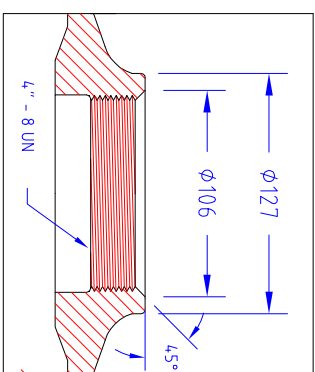
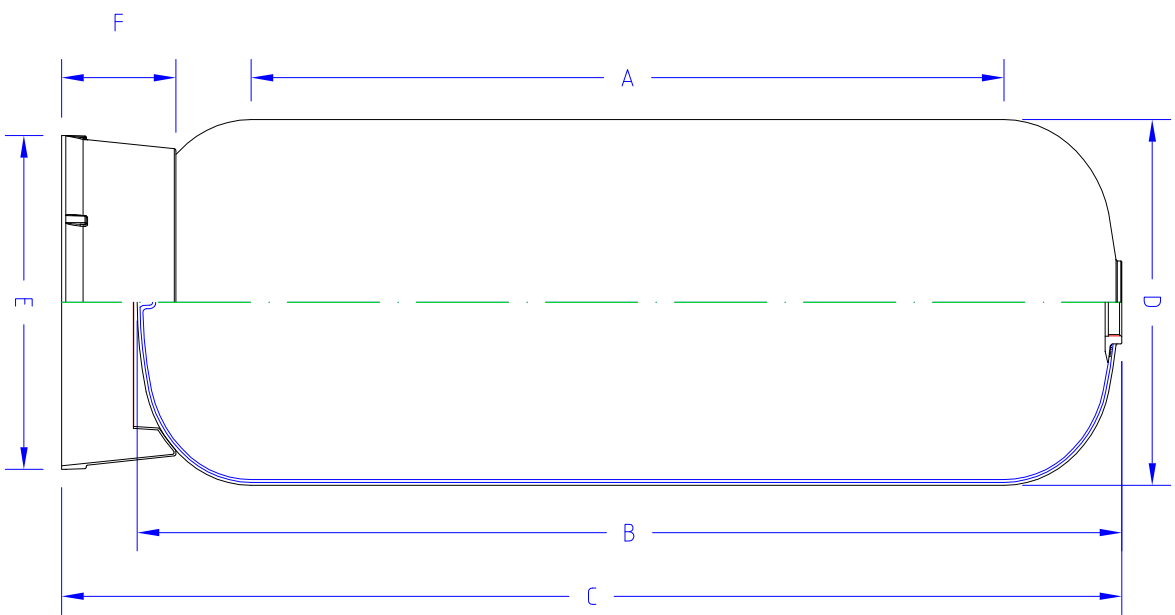


# COMPOSITE INDUSTRIAL THREADED VESSELS

4" TOP ONLY




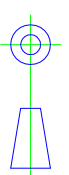
Operating pressure  
Operating temperature

: min 0 bar – max 10 bar  
: min 1°C – max 50°C

A	B	C	D	E	F	Volume vessel (liter)	Volume dome (liter)	Weight empty vessel (kg)	Maximum base load (kg)	Lifting lugs	BASE	TYPE
850	1108	1144 ± 15	φ369	φ376	198	93	7.3	14.2	320	0	B-BNA-014	C-1443-A3
1076	1334	1370 ± 15	φ369	φ376	198	122	7.3	15.5	320	0	B-BNA-014	C-1452-A3
1366	1624	1660 ± 15	φ369	φ376	198	140	7.3	19	320	0	B-BNA-014	C-1465-A3
965	1253	1289 ± 9	φ406	φ414	218	122	10.1	16.1	410	0	B-BNA-016	C-1649-A3
1335	1623	1659 ± 17.5	φ406	φ414	218	170	10.1	20.5	410	0	B-BNA-016	C-1665-A3
1349	1654	1755 ± 20	φ469	φ516	174	252	15.1	32	685	0	B-SMC-S21	C-1865-A3
557	920	1033 ± 15	φ552	φ516	174	164	24	20	685	0	B-SMC-L21	C-2136-A3
616	979	1226 ± 15	φ552	φ536	309	178	24	21	685	0	B-SMC-H21	C-2138-A3
1150	1513	1626 ± 15	φ552	φ510	174	309	24	32	685	0	B-SMC-L21	C-2160-A3
1328	1746	1863 ± 20	φ610	φ516	174	440	35	41	985	0	B-SMC-L24	C-2469-A3

(j)  
(l)

Revision	Revision description	Drawn	Date
m	Adj.dims. A,B,C,E,F and added lifting lugs & base (ECN160003)	BV	4/03/2016
l	Adj.B dimension of 1665A3 from 1647 into 1620 (see ECN05081)	LVDS	31/01/2006
k	Adj.B and C dim and volume acc. to ECN 05073,083,081,082,084	LVDS	09/01/2006

 <p>Pentair Water</p> <p>Industriepark Wolfstee Toekomstlaan 30 HERENTALS BELGIUM</p>	Article :	Scale :	none
	Cad filename :	Date :	2 April 1997
	Model filename :	Drawn :	Ludo Van den Schoor
	Remarks :	Approved :	P.K.
	Material :	Projection :	

Description :	INDUSTRIAL TOP THR. COMPOSITE VESSEL	Drawing number :	CD-TP-1-221m
---------------	--------------------------------------	------------------	--------------