



Pentair  
Water

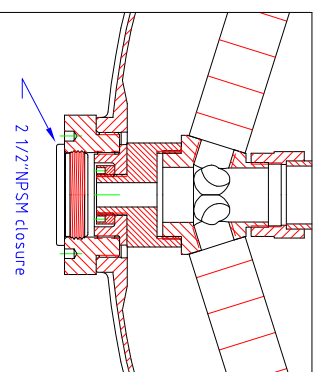
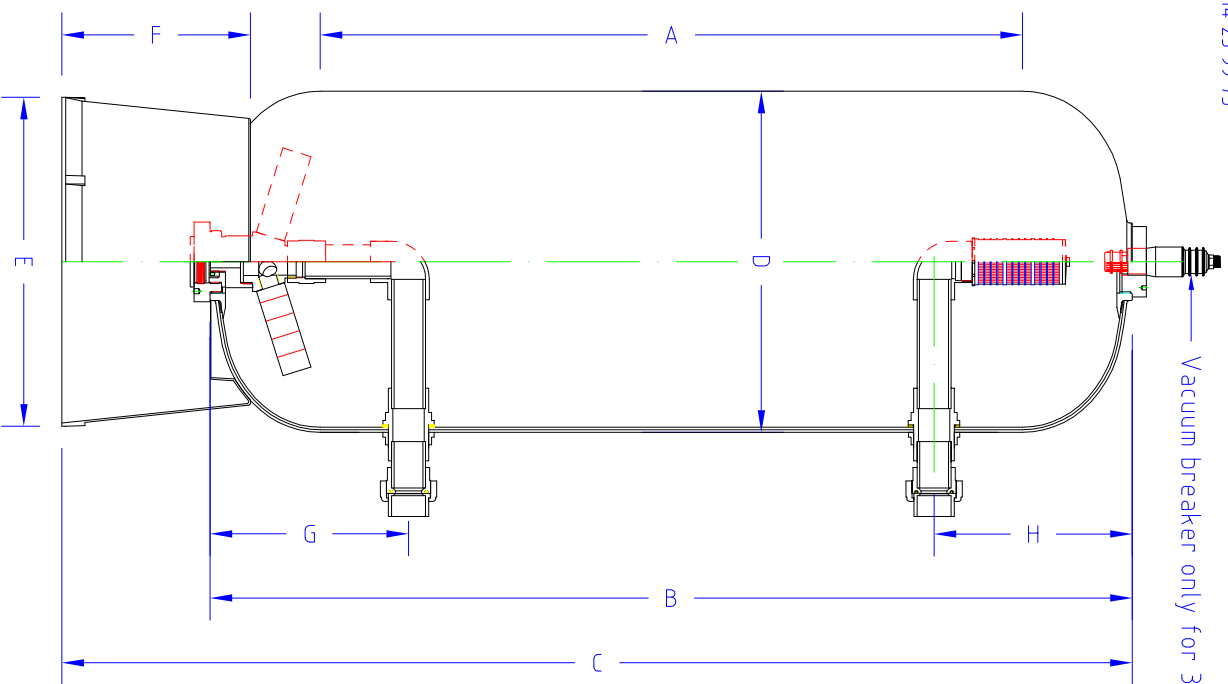
TEL: + 32 14 25 99 11  
FAX: + 32 14 25 99 75

# COMPOSITE INDUSTRIAL THREADED VESSELS

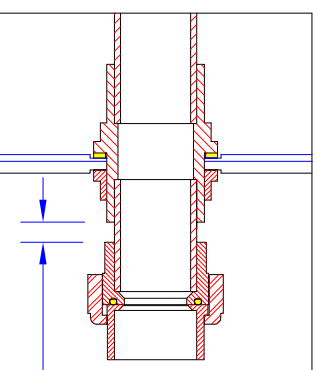
4" TOP - 4" BOTTOM

Ø63 SIDE HOLES

Vacuum breaker only for 30" and 36" vessels



DETAIL 4" THREAD



DETAIL SIDE HOLE

Operating pressure : min 0 bar - max 10 bar  
Operating temperature : min 1°C - max 50°C

	A	B	C	D	E	F	G	H	I	J	K	L	M	N	O	P	Q	R	S	T	U	V	W	X	Y	Z	
Cylindrical height (mm)	1166	1545	1776 ± 15	Ø552	Ø536	309	327	324	310	24	35	690	0	B-SMC-H21	C-2160-S611												
Height vessel (mm)	1327	1760	1997 ± 15	Ø610	Ø539	309	359	360	435	35	43	990	0	B-SMC-H24	C-2469-S611												
Total height (mm) Minimum - maximum	1319	1840	2040 ± 20	Ø770	Ø768	334	400	401	712	67	84	1590	0	B-SMC-X30	C-3072-S611												
External diameter (mm)	1294	1897	2141 ± 15	Ø927	Ø768	334	484	485	1039	116	99	2240	0	B-SMC-X36	C-3672-S611												
Outside diameter base (mm)																											
Height base (mm)																											
Distance lower sidehole (mm)																											
Distance upper sidehole (mm)																											
Volume vessel (liter)																											
Volume dome (liter)																											
Weight empty vessel (kg)																											
Maximum base load (kg)																											
Lifting lugs																											

Revision	Revision description	Drawn	Date
i	Adj. Dims, A,B,C and added lifting lugs & base	BV	17/02/2016
h	Adjust dimension B, C and volume according to ECN05084, 085	LVDS	19/10/2005
g	Adjust dimension B and C of 21" vessel ECN05066	LVDS	19/10/2005

<p>Pentair Water</p> <p>Industriepark Wolfstee Toekomstlaan 30 HERENTALS BELGIUM</p>	Article :	Scale :	none
	Cad filename :	Date :	6 May 1998
	Model filename :	Drawn :	Ludo Van den Schoor
	Remarks :	Approved :	P.K.
	Material :	Projection :	

Description :	INDUSTRIAL THR. COMP. EASYCON VESSEL	Drawing number :	CD-TP-1-272h
---------------	--------------------------------------	------------------	--------------