



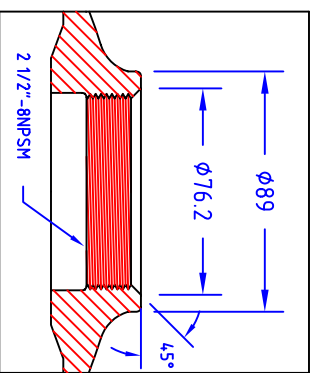
**Pentair
Water**

TEL. + 32 14 25 99 11
FAX. + 32 14 25 99 75

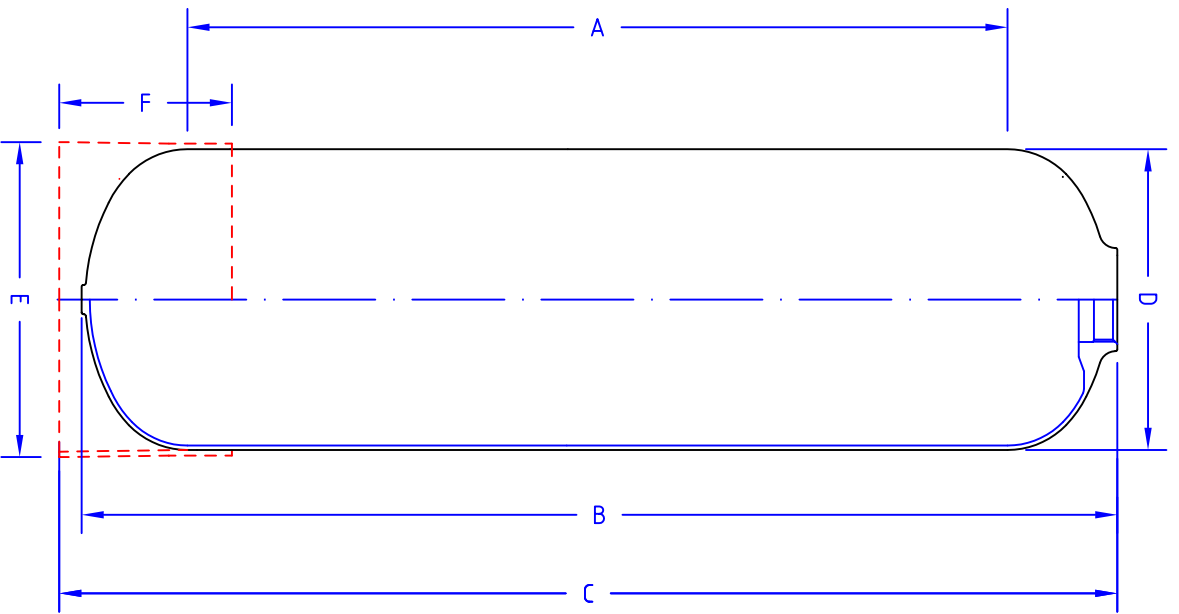
COMPOSITE DOMESTIC THREADED VESSELS

2 1/2" TOP - POLE-LESS

DETAIL 2 1/2" THREAD



Operating pressure : min 0 bar - max 10 bar
Operating temperature : min 1°C - max 50°C



| A | B | C | D | E | F | I | I | I | I | TYPE |
|-------------------------|---|--|------------------------|----------------------------|------------------|-----------------------|---------------------|--------------------------|------------------------|------|
| Cylindrical height (mm) | Height vessel (mm) Minimum - maximum | Total height (mm) Minimum - maximum | External diameter (mm) | Outside diameter base (mm) | Height base (mm) | Volume vessel (liter) | Volume dome (liter) | Weight empty vessel (kg) | Maximum base load (kg) | |
| 233 | 336 - 340 | 336 - 340 | Ø136 | - | 3.4 | 0.3 | 0.9 | - | 0-0513-A0 | |
| 307 | 408 - 412 | 408 - 412 | Ø136 | - | 4.3 | 0.3 | 1.1 | - | 0-0516-A0 | |
| 330 | 434 - 438 | 434 - 438 | Ø136 | - | 4.5 | 0.3 | 0.9 | - | 0-0517-A0 | |
| 422 | 523 - 527 | 523 - 527 | Ø136 | - | 5.8 | 0.3 | 1.5 | - | 0-0521-A0 | |
| 194 | 319 - 323 | 340 - 344 | Ø159 | Ø170 | 4.6 | 0.6 | 1.0 | 4.0 | 0-0613-A0 | |
| 327 | 452 - 456 | 473 - 477 | Ø159 | Ø170 | 6.9 | 0.6 | 1.2 | 4.0 | 0-0618-A0 | |
| 403 | 528 - 532 | 549 - 553 | Ø159 | Ø170 | 8.2 | 0.6 | 1.3 | 4.0 | 0-0621-A0 | |
| 186 | 323 - 327 | 339 - 343 | Ø184 | Ø195 | 6.3 | 0.9 | 1.4 | 6.0 | 0-0713-A0 | |
| 291 | 428 - 432 | 444 - 448 | Ø184 | Ø195 | 8.8 | 0.9 | 1.3 | 6.0 | 0-0717-A0 | |
| 455 | 605 - 609 | 611 - 615 | Ø184 | Ø195 | 13.5 | 0.9 | 1.8 | 6.0 | 0-0724-A0 | |
| 623 | 760 - 764 | 776 - 780 | Ø184 | Ø195 | 16.8 | 0.9 | 2.1 | 6.0 | 0-0730-A0 | |
| 746 | 883 - 887 | 899 - 903 | Ø184 | Ø195 | 20.4 | 0.9 | 2.5 | 6.0 | 0-0735-A0 | |

| Revision | Revision description | Drawn | Date |
|----------|----------------------------|-------|------|
| e | Add new specs of Q-0517-A0 | PD | |

| | | | |
|---|------------------|------------|---------------------|
| Industriepark Wolfstee Toekomstlaan 30 HERENTALS BELGIUM | Article : | Scale : | none |
| | Cad filename : | Date : | 8 May 2001 |
| | Model filename : | Drawn : | Ludo Van den Schoor |
| | Remarks : | Approved : | P.K. |
| Boxed dims. are critical for Q.A. Material : | Projection : | | A 3 |
| | Drawing number : | | |

Description : **DOM. POLELESS COMPOSITE VESSEL 6" - 7"**